



CANGZHOU QIANDE STAINLESS STEEL PRODUCTS CO.,LTD

HANJIACHANG VILLAGE, XIAOWANGZHUANG TOWNSHIP, YUNHE DISTRICT,
CANGZHOU CITY, HEBEI PROVINCE, CHINA.

TEL: +86 176 3327 6806

WEBSITE: www.qdstainlessvalve.com

EMAIL: info@qdstainlessvalve.com



QIANDE CANGZHOU QIANDE STAINLESS STEEL PRODUCTS CO.,LTD

Your Valves & Fittings Specialist---

Highest Quality Stainless Steel Ball Valves & Fittings



We Don't Just Sell, We Support--QIANDE Only Supply Highest quality Stainless Steel Ball Valves & Fittings. High Quality Can Bring You And Us More Buiness.

More Quality,
More Customers,
More Future.

BALL VALVE

Mini Ball Valve F/F B101S 内牙mini球阀	Mini Ball Valve M/F B111S 内外牙mini球阀	Mini Ball Valve M/M B121S 双外牙mini球阀	1-pc Ball Valve B101 1pc球阀
2-pc Light Duty Ball Valve B211 2pc轻型球阀	2-pc Ball Valve B221 2pc普通球阀	2-pc Ball Valve DIN3202-M3 B231 2pc长型DIN3202-M3球阀	2-pc Ball Valve (M/F) B241 2pc内外牙球阀
2-pc Ball Valve B251 2pc2000WOG球阀	3-pc Thread Ball Valve B301 3pc普通球阀	3-pc Butt Weld Ball Valve B302 3pc对焊球阀	3-pc Socket Weld Ball Valve B303 3pc插焊球阀
2-pc Ball Valve With Mounting Pad B201M 2pc启动器球阀	3-pc Ball Valve With Mounting Pad B301M 3pc启动器球阀	2-pc Flanged Ball Valve (ANSI/JIS/DIN) B404A/J/D 2pc法兰球阀	2-pc Flanged Ball Valve With Direct Mounting Pad (ANSI) B404MA 2pc高平台美标法兰球阀
2-pc Flanged Ball Valve With Direct Mounting Pad (JIS) B404MJ 2pc高平台日标法兰球阀	2-pc Flanged Ball Valve With Direct Mounting Pad (DIN) B404MD 2pc高平台德标法兰球阀	Three-way Ball Valve With Direct Mounting Pad B501M 高平台三通球阀	Y-strainer Y601 Y型过滤器

BALL VALVE

Bibcock Valve B261 水嘴球阀	Floating Ball Valve F701/ F711 浮球阀	Globe Valve G801 截止阀-1型	Gate Valve G901 闸阀
Swing Check Valve C401 旋启式止回阀	Y-spring Check Valve C501 Y型弹簧止回阀	1pc-spring Vertical Check Valve C101 1pc弹簧立式止回阀	2pc-spring Vertical Check Valve C201 2pc弹簧立式止回阀

PIPE FITTINGS

90° Elbow 90° 弯头	45° Elbow 45° 弯头	Tees 三通	Cross 十字通	90° Street Elbow 内外牙弯头
Unions F/F 由任	Unions M/F 内外牙由任	Square Plug 四角塞头	Hexagon Plug 六角塞头	Hexagon Bushings 卜申
Hexagon Nipples 六角外牙接头	Reducing Hexagon Plug 异径六角外牙接头	Hexagon caps 六角管帽	Socket Banded 有边接头	Reducing Socket Banded 异径有边接头
Couplings O.D. Machined 光面接头	Half Couplings O.D. Machined 光面接头	Hose Nipple 水管接头	Barrel Nipples 双丝管接头	Welding Nipples 双丝管接头

B101S

MINI BALL VALVE F/F

内牙 MINI 球阀



FEATURES:

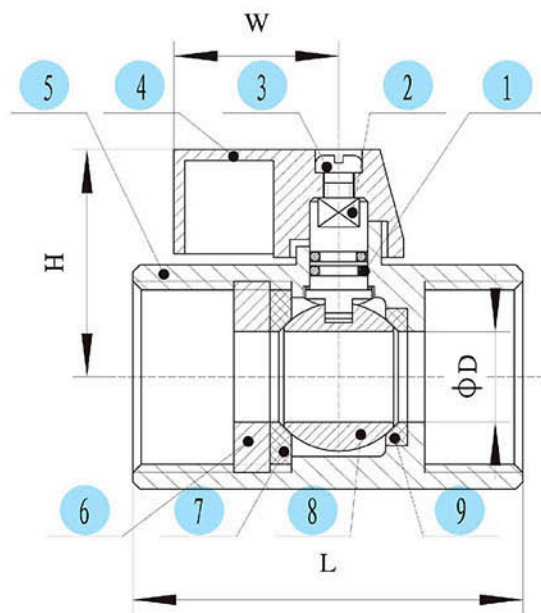
- 1000PSI/PN63
- Reduce Port
- Investment Casting
- Blow-out Proof Stem
- Sanitary Design
- PED97/23/EC(CE0035) Approved
- Casting Approved AD2000-W0
- Thread:ASME B1.20.1 BS21.DIN2999/259, ISO228-1, JIS B 0203, ISO7/1
- Inspection Testing:API598,EN12266

DIMENSION TABLE

ITEM \ SIZE	1/4"	3/8"	1/2"	3/4"	1"
D	7	7	9.2	12.5	15
H	26.5	26.5	28.3	31.5	34
W	22.8	22.8	22.8	22.8	22.8
L	42	42	46	54	65

MATERIAL LIST

ITEM	DESIGNATION	MATERIAL
1	O-RING	NBR
2	STEM	SUS304
3	BOLT	SUS304
4	LEVER	ALUMINUM ALLOY
5	BODY	CF8/CF8M
6	CAP	CF8/CF8M
7	BALL SEAT(A)	RPTFE
8	BALL	CF8/CF8M
9	BALL SEAT(B)	RPTFE



B111S

MINI BALL VALVE M/F

内外牙 MINI 球阀



FEATURES:

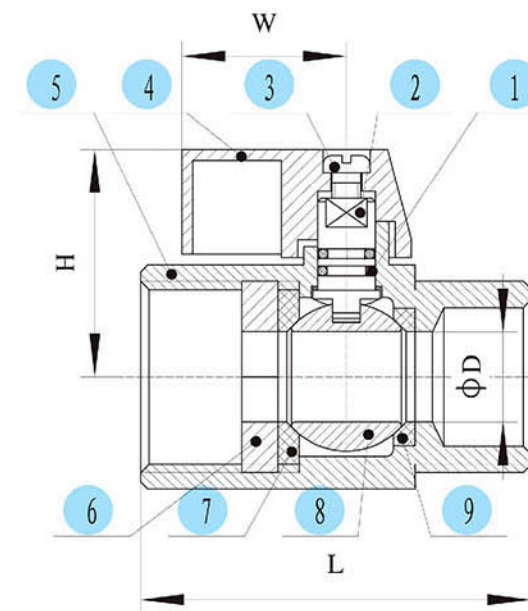
- 1000PSI/PN63
- Reduce Port
- Investment Casting
- Blow-out Proof Stem
- Sanitary Design
- PED97/23/EC(CE0035) Approved
- Casting Approved AD2000-W0
- Thread:ASME B1.20.1 BS21.DIN2999/259, ISO228-1, JIS B 0203, ISO7/1
- Inspection Testing:API598,EN12266

DIMENSION TABLE

ITEM \ SIZE	1/4"	3/8"	1/2"	3/4"	1"
D	7	7	9.2	12.5	15
H	26.5	26.5	28.3	31.5	34
W	22.8	22.8	22.8	22.8	22.8
L	40	40	46	54	65

MATERIAL LIST

ITEM	DESIGNATION	MATERIAL
1	O-RING	NBR
2	STEM	SUS304
3	BOLT	SUS304
4	LEVER	ALUMINUM ALLOY
5	BODY	CF8/CF8M
6	CAP	CF8/CF8M
7	BALL SEAT(A)	RPTFE
8	BALL	CF8/CF8M
9	BALL SEAT(B)	RPTFE



B121S

MINI BALL VALVE M/F 双外牙 MINI 球阀



FEATURES:

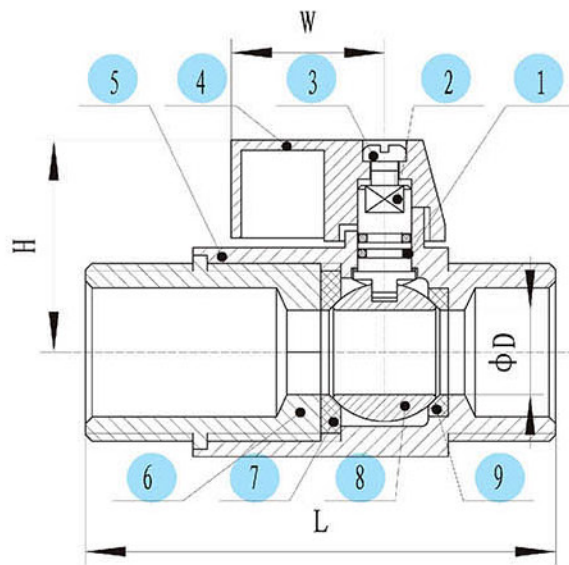
- 1000PSI/PN63
- Reduce Port
- Investment Casting
- Blow-out Proof Stem
- Sanitary Design
- PED97/23/EC(CE0035) Approved
- Casting Approved AD2000-W0
- Thread:ASME B1.20.1 BS21.DIN2999/259, ISO228-1, JIS B 0203, ISO7/1
- Inspection Testing:API598,EN12266

DIMENSION TABLE

ITEM \ SIZE	1/4"	3/8"	1/2"	3/4"	1"
D	7	7	9.2	12.5	15
H	26.5	26.5	28.3	31.5	34
W	22.8	22.8	22.8	22.8	22.8
L	50	50	58	71.5	83

MATERIAL LIST

ITEM	DESIGNATION	MATERIAL
1	O-RING	NBR
2	STEM	SUS304
3	BOLT	SUS304
4	LEVER	ALUMINUM ALLOY
5	BODY	CF8/CF8M
6	CAP	CF8/CF8M
7	BALL SEAT(A)	RPTFE
8	BALL	CF8/CF8M
9	BALL SEAT(B)	RPTFE



B101

1PC BALL VALVE 1PC 球阀



FEATURES:

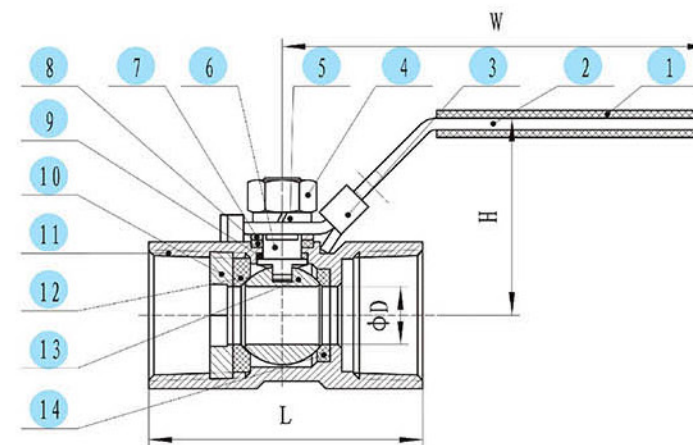
- 1000PSI/PN63
- Reduce Port
- Investment Casting
- Blow-out Proof Stem
- Locking Device Handle(Optional)
- PED97/23/EC(CE0035) Approved
- Casting Approved AD2000-W0
- Thread:ASME B1.20.1 BS21.DIN2999/259, ISO228-1, JIS B 0203, ISO7/1
- Inspection Testing:API598,EN12266

DIMENSION TABLE

ITEM \ SIZE	1/4"	3/8"	1/2"	3/4"	1"	1 1/4"	1 1/2"	2"	2 1/2"	3"
D	5	7	9.2	12.5	15	20	25	32	38	50
H	33	35	40	44	51	57	64	68	85	90
W	71	93	95	95	113	113	141	141	189	189
L	39	44	55	59	69	77	81	97	128	153

MATERIAL LIST

ITEM	DESIGNATION	MATERIAL
1	PLASTIC COVER	PLASTIC
2	HANDLE	SUS304
3	LOCKING	SUS304
4	STEM NUT	SUS304
5	SPRING WASHER	SUS304
6	STEM	SUS304
7	PACK RING	SUS304
8	STEM PACKING	PTFE
9	THRUST WASHER	PTFE
10	CAP	CF8/CF8M
11	BODY	CF8/CF8M
12	BALL SEAT(A)	RPTFE
13	BALL	CF8/CF8M
14	BALL SEAT(B)	RPTFE



B201

2PC REDUCE BALL VALVE 2PC 缩径球阀

FEATURES:

- 1000PSI/PN63
- Reduce Port
- Investment Casting
- Blow-out Proof Stem
- PED97/23/EC(C€ 0035) Approved
- Casting Approved AD2000-W0
- Inspection Testing:API598,EN12266

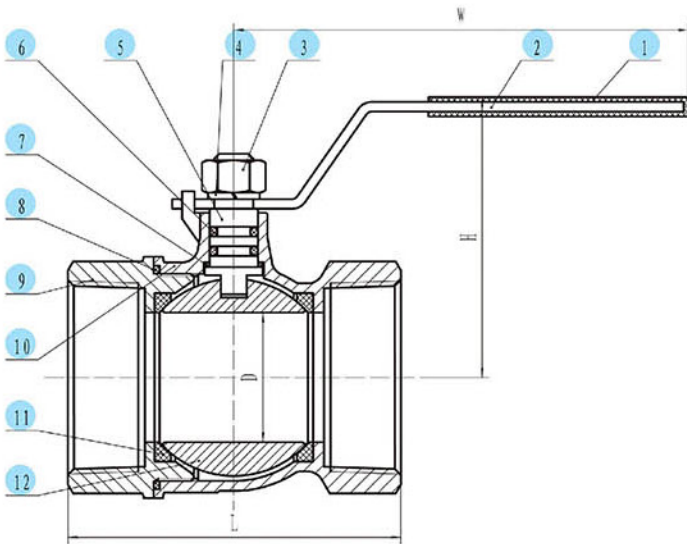


DIMENSION TABLE

ITEM	SIZE	1/4"	3/8"	1/2"	3/4"	1"	1 1/4"	1 1/2"	2"	2 1/2"	3"
D		10	10	10	15	20	25	32	40	50	65
H		50	50	50	55	62	67	81	86	105	118
W		95	95	95	95	113	113	141	141	167	200
L		52	52	52	58	66	79	89.5	102	132	154

MATERIAL LIST

ITEM	DESIGNATION	MATERIAL
1	PLASTIC COVER	PLASTIC
2	HANDLE	SUS304
3	STEM NUT	SUS304
4	THRUST WASHER	SUS304
5	STEM	SUS304
6	O-RING	NBR
7	STEM SEAL	PTFE
8	BODY SEAL	PTFE
9	CAP	CF8/CF8M
10	BODY	CF8/CF8M
11	SEAT	RPTFE
12	BALL	CF8/CF8M



B211

2PC LIGHT DUTY BALL VALVE 2PC 轻型球阀

FEATURES:

- 1000PSI/PN63
- Full Port
- Investment Casting
- Blow-out Proof Stem
- Locking Device Handle(Optional)
- PED97/23/EC(C€ 0035) Approved
- Casting Approved AD2000-W0
- Thread:ASME B1.20.1 BS21.DIN2999/259, ISO228-1, JIS B 0203,ISO7/1
- Inspection Testing:API598,EN12266

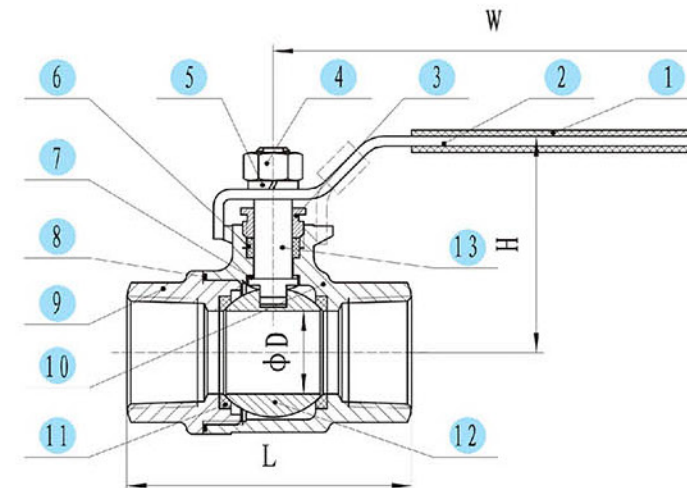
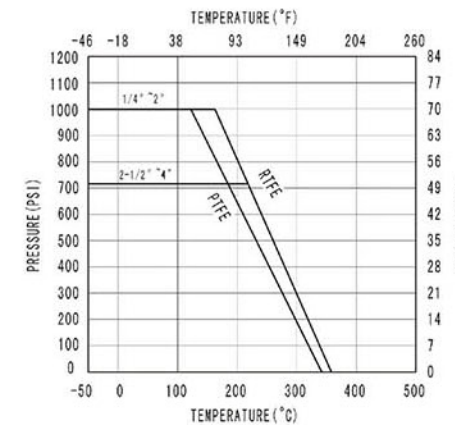


DIMENSION TABLE

ITEM	SIZE	1/2"	3/4"	1"	1 1/4"	1 1/2"	2"
D		15	20	25	32	38	50
H		50	63	65	79	83	97
W		103	133	133	153	153	188
L		58	65	77	90	98	121

MATERIAL LIST

ITEM	DESIGNATION	MATERIAL
1	PLASTIC COVER	PLASTIC
2	HANDLE	SUS304
3	GLAND NUT	SUS304
4	STEM NUT	SUS304
5	THRUST WASHER	SUS304
6	STEM PACKING	PTFE
7	STEM SEAL	PTFE
8	BODY SEAL	PTFE
9	CAP	CF8/CF8M
10	BODY	CF8/CF8M
11	SEAT	RPTFE
12	BALL	CF8/CF8M
13	STEM	SUS304



B221

2PC BALL VALVE

2PC 普通球阀



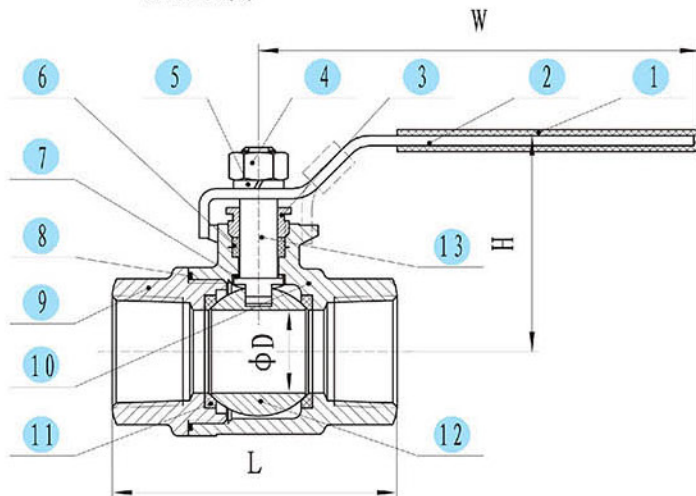
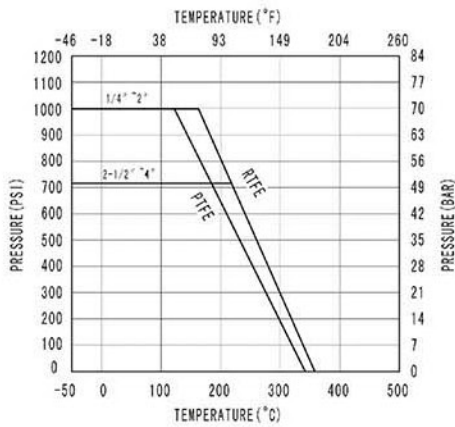
(B221T)

FEATURES:

- 1000PSI/PN63
- Full Port
- Investment Casting
- Blow-out Proof Stem
- Locking Device Handle(Optional)
- PED97/23/EC(CE 0035) Approved
- Casting Approved AD2000-W0
- Thread:ASME B1.20.1 BS21.DIN2999/259, ISO228-1, JIS B 0203,ISO7/1
- Inspection Testing:API598, EN12266

DIMENSION TABLE

SIZE ITEM	1/4"	3/8"	1/2"	3/4"	1"	1 1/4"	1 1/2"	2"	2 1/2"	3"	4"
D	11	12.5	15	20	25	32	38	50	65	76	94
H	51	51	53	65	77	82	93	100	118	129	166
W	103	103	103	126	144	144	189	189	224	224	295
L	51	51	63	74	86	98	106	122	159	182	226



MATERIAL LIST

ITEM	DESIGNATION	MATERIAL
1	PLASTIC COVER	PLASTIC
2	HANDLE	SUS304
3	GLAND NUT	SUS304
4	STEM NUT	SUS304
5	THRUST WASHER	SUS304
6	STEM PACKING	PTFE
7	STEM SEAL	PTFE
8	BODY SEAL	PTFE
9	CAP	CF8/CF8M
10	BODY	CF8/CF8M
11	SEAT	RPTFE
12	BALL	CF8/CF8M
13	STEM	SUS304

B231

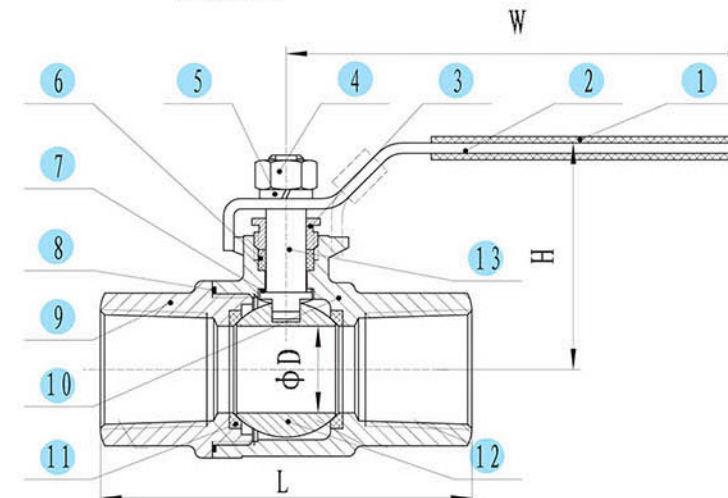
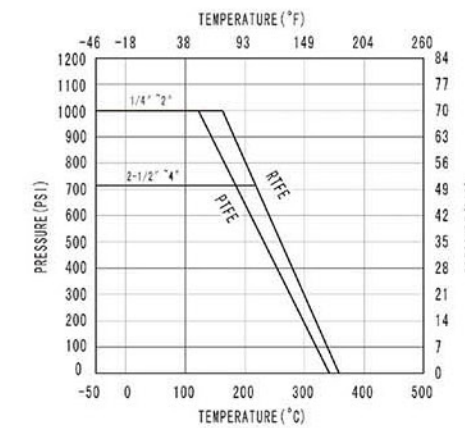
2PC BALL VALVE DIN3202-M3

2PC 长型 DIN3202-M3 球阀



FEATURES:

- 1000PSI/PN63
- Full Port
- Investment Casting
- Blow-out Proof Stem
- Locking Device Handle(Optional)
- PED97/23/EC(CE 0035) Approved
- Casting Approved AD-WO /TRD100
- Length Conform To DIN3202/4-M3
- Thread:ASME B1.20.1 BS21. DIN2999/259, ISO228-1, JIS B 0203, ISO7/1
- Inspection Testing: API598, EN12266



DIMENSION TABLE

SIZE ITEM	1/2"	3/4"	1"	1 1/4"	1 1/2"	2"
D	15	20	25	32	38	50
H	52	65	77	82	95	102
W	103	126	144	144	189	189
L DIN3202-M3	75	80	90	110	120	140

MATERIAL LIST

ITEM	DESIGNATION	MATERIAL
1	PLASTIC COVER	PLASTIC
2	HANDLE	SUS304
3	GLAND NUT	SUS304
4	STEM NUT	SUS304
5	THRUST WASHER	SUS304
6	STEM PACKING	PTFE
7	STEM SEAL	PTFE
8	BODY SEAL	PTFE
9	CAP	CF8/CF8M
10	BODY	CF8/CF8M
11	SEAT	RPTFE
12	BALL	CF8/CF8M
13	STEM	SUS304

B241

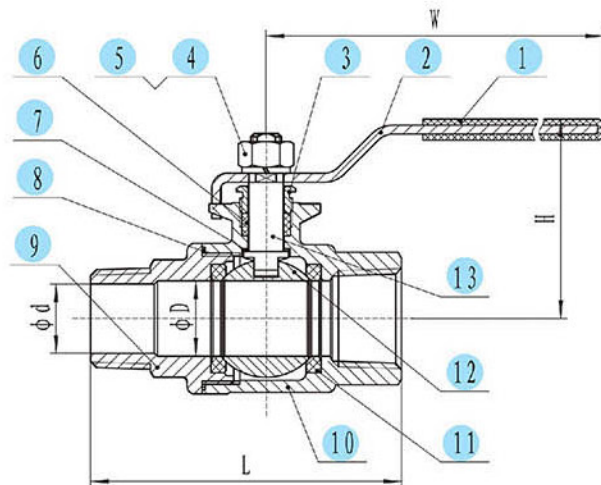
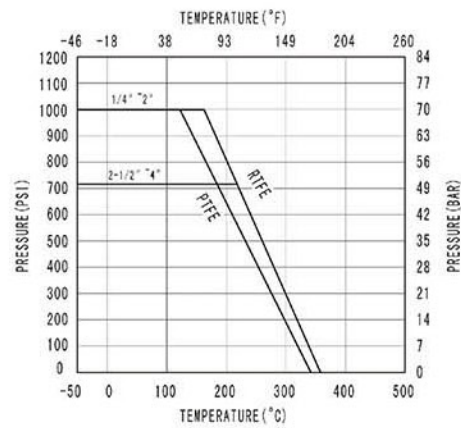
2PC BALL VALVE(M/F)

2PC 内外牙球阀



FEATURES:

- 1000PSI/PN63
- Full Port
- Investment Casting
- Blow-out Proof Stem
- Locking Device Handle(Optional)
- PED97/23/EC(CE 0035) Approved
- Casting Approved AD2000-W0
- Thread:ASME B1.20.1 BS21.DIN2999/259, ISO228-1, JIS B 0203,ISO7/1
- Inspection Testing:API598,EN12266



DIMENSION TABLE

ITEM	SIZE	3/8"	1/2"	3/4"	1"	1 1/4"	1 1/2"	2"
D		12.5	15	20	25	32	38	50
d		10.5	13.6	18.2	23	31	36	48
W		103	103	126	144	144	190	190
H		48	50	57	67	72	93	100
L		60	78.5	88.5	100	110.5	121	141.5

MATERIAL LIST

ITEM	DESIGNATION	MATERIAL
1	PLASTIC COVER	PLASTIC
2	HANDLE	SUS304
3	GLAND NUT	SUS304
4	STEM NUT	SUS304
5	THRUST WASHER	SUS304
6	STEM PACKING	PTFE
7	STEM SEAL	PTFE
8	BODY SEAL	PTFE
9	CAP	CF8/CF8M
10	BODY	CF8/CF8M
11	SEAT	RPTFE
12	BALL	CF8/CF8M
13	STEM	SUS304

B251

2PC BALL VALVE-2000PSI

2PC 2000WOG 球阀



- Investment Castings For Body And Cap
- Internal Entry Blow-Out Proof Stem
- Pressure Rating: 2000PSI (PN125)
- Threaded Ends: ANSI B2.1,BS 21,DIN 259/2999
- Material: CF8M,CF8,CF3M,WCB
- Pressure Test: API 598

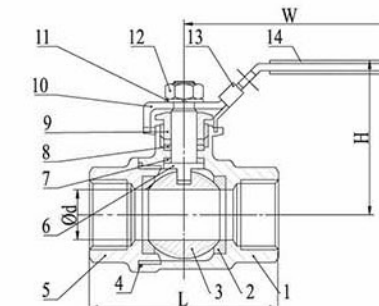
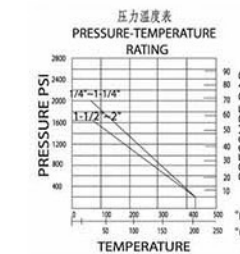
- 精密铸造二片式球阀 (通过)
- 压力等级: 2000PSI (PN125)
- 螺纹标准: ANSI B2.1,BS 21,DIN 259/2999
- 材 料: CF8M,CF8,CF3M,WCB
- 压力测试: API 598

MATERIAL LIST

ITEM	PART	MATERIAL	QTY
1	BODY	CF8M	1
2	BALL SEAT	PTFE	2
3	BALL	CF8M	1
4	BODY SEAL	PTFE	1
5	CAP	CF8M	1
6	STEM	SS316	1
7	THRUST WASHER	PTFE	1
8	PACKING	PTFE	1
9	GLAND NUT	SS304	1
10	HANDLE	SS304	1
11	WASHER	SS304	1
12	NUT	SS304	1
13	LOCK DEVICE	SS304	1
14	HANDLE COVER	PLASTIC	1

DIMENSION TABLE

SIZE	d	L	H	W	N.M	KGS
1/4"	12.5	56.5	48	105	4	0.28
3/8"	12.5	56.5	48	105	4	0.28
1/2"	15	65.5	53	110	5	0.43
3/4"	20	77.5	62	135	8	0.59
1"	25	89.0	75	150	10	1.06
1-1/4"	32	104.0	72.5	150	14	1.50
1-1/2"	38	122.0	91	177	18	2.39
2"	50	124.5	102	183	25	3.40



B201M

2PC BALL VALVE WITH MOUNTING PAD 2PC 启动器球阀

FEATURES:

- 1000PSI/PN63
- Full Port
- Investment Casting
- ISO5211 Mounting Pad
- Blow-out Proof Stem
- Locking Device Handle
- Fire Safe:API607
- Anti-Static Devices
- PED97/23/EC(CE 0035) Approved
- Casting Approved AD2000-W0
- Thread:ASME B1.20.1 BS21.DIN2999/259, ISO228-1, JIS B 0203,ISO7/1
- Inspection Testing:API598, EN12266

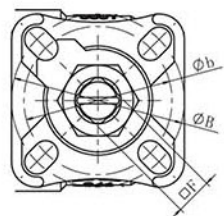
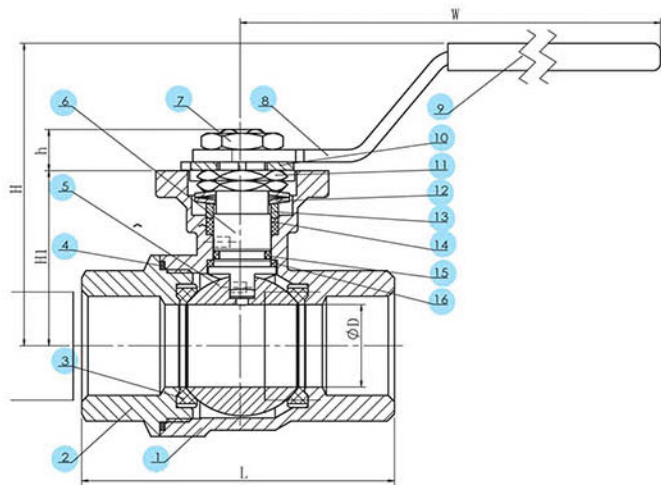


DIMENSION TABLE

SIZE	1/4"	3/8"	1/2"	3/4"	1"	1 1/4"	1 1/2"	2"
φD	11	12.5	15	20	25	32	38	50
H	60.5	60.5	63	73.5	76	82.5	94	103
H1	36.5	36.5	37.8	42.5	45	51.5	59.5	68.5
h	7	7	7	9	9	9	11	11
W	100	100	100	137	137	137	205	205
φd	36	36	36	36	42	42	50	50
φB	42	42	42	42	50	50	70	70
F	9	9	9	9	9	9	11	11
L	50	50	55	76	83	100	103	136

MATERIAL LIST

ITEM	DESIGNATION	MATERIAL
1	BODY	CF8/CF8M
2	CAP	CF8/CF8M
3	SEAT	RPTFE
4	BODY SEAL	PTFE
5	BALL	CF8/CF8M
6	STEM	SUS304
7	STEM NUT	SUS304
8	HANDLE	SUS304
9	PLASTIC COVER	PLASTIC
10	WASHER	SUS304
11	STEM NUT	SUS304
12	SPRING WASHER	SUS301
13	GLAND RING	SUS304
14	STEM PACKING	PTFE
15	O-RING	NBR
16	THRUST WASHER	PTFE



B301

3PC THREAD BALL VALVE 3PC 普通球阀

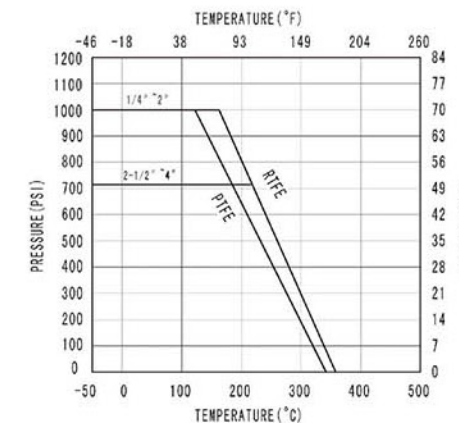
FEATURES:

- 1000PSI/PN63
- Full Port
- Investment Casting
- Blow-out Proof Stem
- Locking Device Handle(Optional)
- PED97/23/EC(CE 0035) Approved
- Casting Approved AD2000-W0
- Thread:ASME B1.20.1 BS21.DIN2999/259, ISO228-1, JIS B 0203,ISO7/1
- Inspection Testing:API598, EN12266



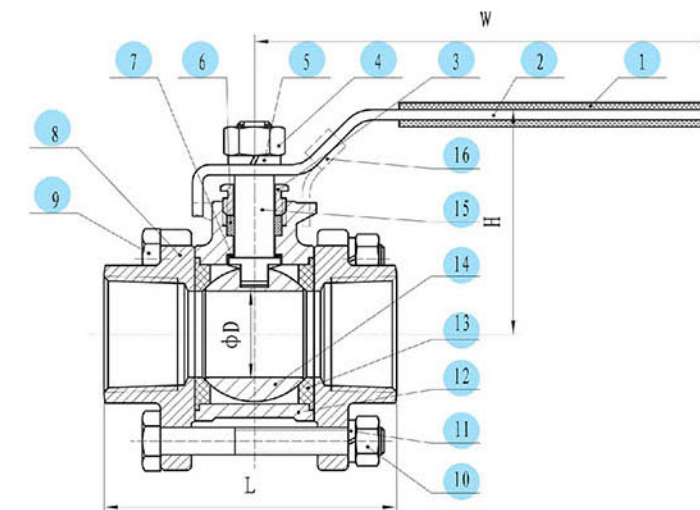
DIMENSION TABLE

SIZE	1/4"	3/8"	1/2"	3/4"	1"	1 1/4"	1 1/2"	2"	2 1/2"	3"	4"
D	12.5	12.5	15	20	25	32	38	50	65	76	94
H	52	52	53	64	77	82	94	102	116	125	159
W	105	105	105	126	144	144	189	189	224	224	297
L	64	64	72	80	85	105	113	132	170	186	226



MATERIAL LIST

ITEM	DESIGNATION	MATERIAL
1	PLASTIC COVER	PLASTIC
2	HANDLE	SUS304
3	GLAND NUT	SUS304
4	STEM NUT	SUS304
5	THRUST WASHER	SUS304
6	STEM PACKING	PTFE
7	THRUST WASHER	PTFE
8	CAP	CF8/CF8M
9	BOLT	SUS304
10	NUT	SUS304
11	THRUST WASHER	SUS304
12	BODY	CF8/CF8M
13	SEAT	RPTFE
14	BALL	CF8/CF8M
15	STEM	SUS304
16	LOCKING	SUS304

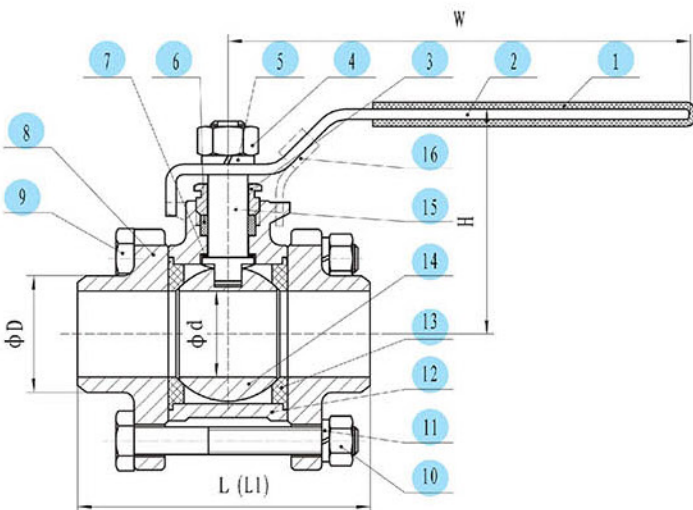
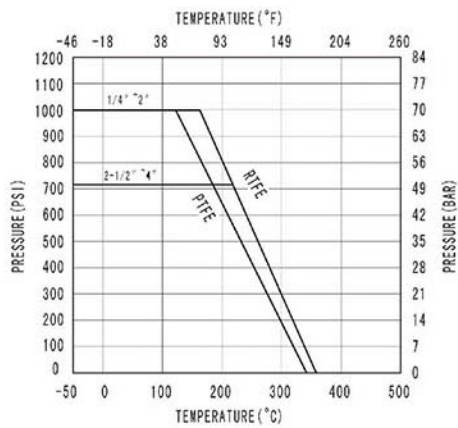


B302

3PC BUTT WELD BALL VALVE 3PC 对焊球阀

FEATURES:

- 1000PSI/PN63
- Full Port
- Investment Casting
- Blow-out Proof Stem
- Locking Device Handle(Optional)
- PED97/23/EC(CE 0035) Approved
- Casting Approved AD2000-W0
- Butt Weld:ASME B16.25(Sch40)
- Inspection Testing:API598,EN12266



(B312)

DIMENSION TABLE

SIZE	1/4"	3/8"	1/2"	3/4"	1"	1 1/4"	1 1/2"	2"	2 1/2"	3"	4"
d	11.2	11.2	15	20	25	32	38	50	65	76	94
D	15.2	17.2	21.3	26.9	34.5	43.5	50	61.5	77	90	115
H	52	52	53	64	77	82	94	102	116	125	159
W	105	105	105	126	144	144	189	189	224	224	251
L1	225	225	225	225	245	256	260	275	334	345	365
L	62	62	63	78	86	97	112	134	170	189	242

MATERIAL LIST

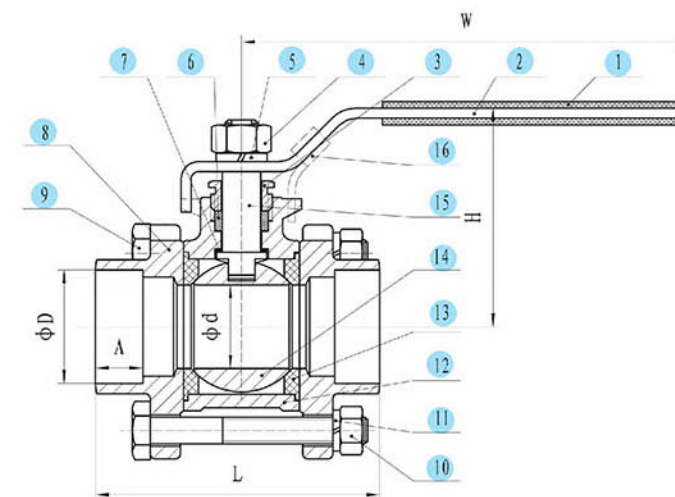
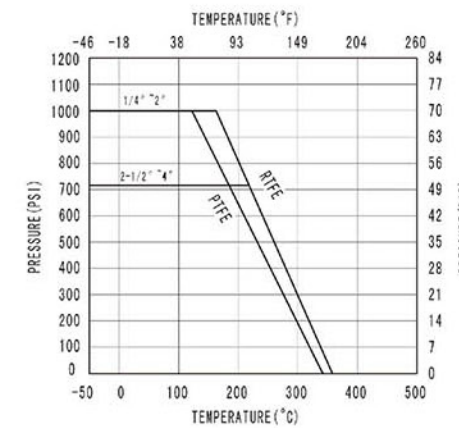
ITEM	DESIGNATION	MATERIAL
1	HANDLE SLEEVE	PLASTIC
2	HANDLE	SUS304
3	GLAND NUT	SUS304
4	STEM NUT	SUS304
5	SPRING WASHER	SUS304
6	PACKING	PTFE
7	STEM SEAL	PTFE
8	CAP	CF8/CF8M
9	BOLT	SUS304
10	NUT	SUS304
11	THRUST WASHER	SUS304
12	BODY	CF8/CF8M
13	BALL SEAT	RPTFE
14	BALL	CF8/CF8M
15	STEM	SUS304
16	LOCKING	SUS304

B303

3PC SOCKET WELD BALL VALVE 3PC 插焊球阀

FEATURES:

- 1000PSI/PN63
- Full Port
- Investment Casting
- Blow-out Proof Stem
- Locking Device Handle(Optional)
- PED97/23/EC(CE 0035) Approved
- Casting Approved AD2000-W0
- Socket Weld:ASME B16.11
- Inspection Testing:API598, En12266



DIMENSION TABLE

SIZE	1/4"	3/8"	1/2"	3/4"	1"	1 1/4"	1 1/2"	2"	2 1/2"	3"	4"
d	12.5	12.5	15	20	25	32	38	50	65	76	94
D	14.1	17.6	21.7	27.1	33.9	42.6	48.7	61.1	77	89.8	115.5
A	10	10	10	13	13	13	13	16	16	16	19
H	52	52	53	64	77	82	94	102	117	126	159
W	105	105	105	126	144	144	189	189	224	224	297
L	64	64	72	80	85	105	113	132	170	186	226

MATERIAL LIST

ITEM	DESIGNATION	MATERIAL
1	PLASTIC COVER	PLASTIC
2	HANDLE	SUS304
3	GLAND NUT	SUS304
4	STEM NUT	SUS304
5	THRUST WASHER	SUS304
6	STEM PACKING	PTFE
7	STEM SEAL	PTFE
8	CAP	CF8/CF8M
9	BOLT	SUS304
10	NUT	SUS304
11	THRUST WASHER	SUS304
12	BODY	CF8/CF8M
13	SEAT	RPTFE
14	BALL	CF8/CF8M
15	STEM	SUS304
16	LOCKING	SUS304

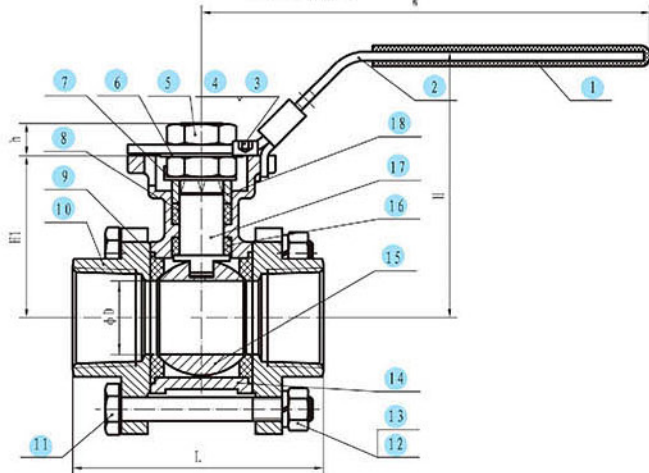
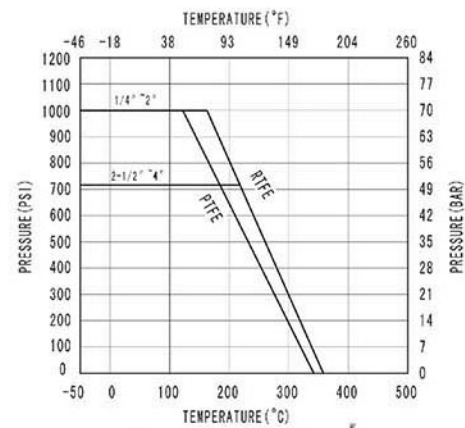
B301M

3PC BALL VALVE WITH MOUNTING PAD 3PC 启动器球阀



FEATURES:

- 1000PSI/PN63
- Full Port
- Investment Casting
- Blow-out Proof Stem
- ISO5211 Mounting Pad
- Locking Device Handle
- PED97/23/EC(CE 0035) Approved
- Casting Approved AD2000-W0
- Thread:ASME B1.20.1 BS21.DIN2999/259, ISO228-1, JIS B 0203,ISO7/1
- Inspection Testing:API598, EN12266



DIMENSION TABLE

SIZE ITEM	1/4"	3/8"	1/2"	3/4"	1"	1 1/4"	1 1/2"	2"	2 1/2"	3"	4"
D	11	12.5	15	20	25	32	38	50	65	76	94
H	69	69	72	78	90	95	105	122	155	164	164
W	140	140	140	140	162	162	188	188	233	233	333
H1	38.4	38.4	42	48	55	60	70	85	109	118	115.5
h	9	9	9	9	11	11	14	14	20	20	20
ISO5211	F03	F03	F03	F03	F04	F04	F05	F05	F07	F07	F07
L	64	64	72	80	85	105	113	132	170	186	226

MATERIAL LIST

ITEM	DESIGNATION	MATERIAL
1	PLASTIC COVER	PLASTIC
2	HANDLE	SUS304
3	BOLT	SUS304
4	NUT	SUS304
5	STEM NUT	SUS304
6	PACKING RING	SUS304
7	THRUST WASHER	SUS304
8	STEM PACKING	PTFE
9	BODY SEAL	PTFE
10	CAP	CF8/CF8M
11	BOLT	SUS304
12	THRUST WASHER	SUS304
13	NUT	SUS304
14	BODY	CF8/CF8M
15	BALL	CF8/CF8M
16	STEM SEAL	PTFE
17	STEM	SUS304
18	GLAND RING	SUS304

B404A

2PC FLANGED BALL VALVE(ANSI) 2PC 美标法兰球阀



FEATURES:

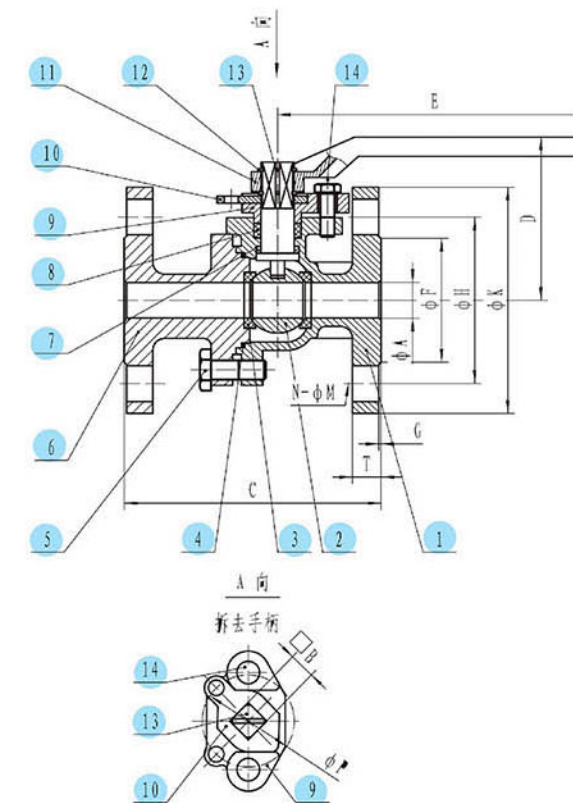
- ANSI CLASS 150
- Full Port
- Investment Casting
- Blow-out Proof Stem
- ISO5211 Mounting Pad
- PED97/23/EC(CE 0035) Approved
- Casting Approved AD2000-W0
- Design:ASME B16.34
- End Flange:ASME B16.5
- Inspection Testing:API598

DIMENSION TABLE

ITEM SIZE	A	B	D	E	P	F	H	K	T	G	N	M	C
1/2"	15	11	68	130	42	35	60.5	89	11	2	4	15	108
3/4"	20	11	68	130	42	43	70	98	11	2	4	15	117
1"	25	14	86	160	50	51	79.5	108	12	2	4	15	127
1 1/4"	32	14	92	160	50	64	89	117	13	2	4	15	140
1 1/2"	38	17	120	200	70	73	98.5	127	15	2	4	15	165
2"	50	17	131	200	70	92	120.5	152	16	2	4	19	178
2 1/2"	65	17	144	200	102	105	139.5	178	18	2	4	19	190
3"	76	22	167	325	102	127	152.5	190	19	2	4	19	203
4"	94	22	186	325	102	157	190.5	229	24	2	8	19	229

MATERIAL LIST

ITEM	DESIGNATION	MATERIAL
1	BODY	CF8/CF8M
2	BALL	CF8/CF8M
3	BALL SEAT	RPTFE
4	BODY SEAL	PTFE
5	BOLT	SUS304
6	CAP	CF8/CF8M
7	STEM SEAL	PTFE
8	STEM PACKING	PTFE
9	GLAND	CF8
10	STOPPER	SUS304
11	HANDLE	CF8
12	SNAPRING	SUS304
13	STEM	SUS304
14	BOLT	SUS304

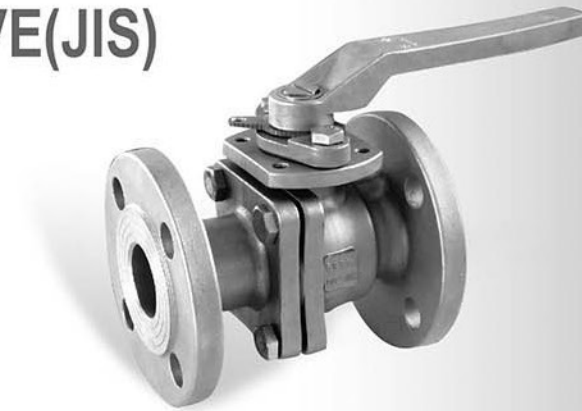


B404J

2PC FLANGED BALL VALVE(JIS) 2PC 日标法兰球阀

FEATURES:

- JIS 10K
- Full Port
- Investment Casting
- Blow-out Proof Stem
- ISO5211 Mounting Pad
- PED97/23/EC (CE 0035) Approved
- Casting Approved AD2000-W0
- Design: JIS B2002
- End Flange: JIS B2238
- Inspection Testing: JIS B2003, API598

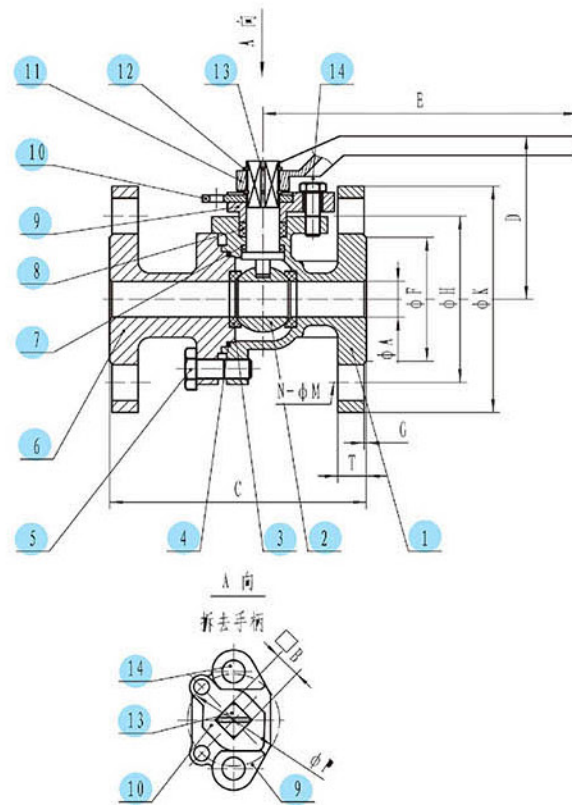


DIMENSION TABLE

ITEM SIZE	A	B	D	E	P	F	H	K	T	G	N	M	C
1/2"	15	11	73	130	42	52	70	95	12.5	1	4	15	108
3/4"	20	11	76	130	42	58	75	100	14.5	1	4	15	117
1"	25	14	86	160	50	68	90	125	14	1	4	19	127
1 1/4"	32	14	91	160	50	76	100	135	16	2	4	19	140
1 1/2"	38	17	119	200	70	81	105	140	17.5	2	4	19	165
2"	50	17	127	200	70	97	120	155	17.5	2	4	19	178
2 1/2"	65	17	136	200	102	116	140	175	19	2	4	19	190
3"	76	22	164	325	102	127	150	185	20	2	8	19	203
4"	94	22	178	325	102	152	175	210	20	2	8	19	229

MATERIAL LIST

ITEM	DESIGNATION	MATERIAL
1	BODY	SCS13A/SCS14A
2	BALL	SCS13A/SCS14A
3	BALL SEAT	RPTFE
4	BODY SEAL	PTFE
5	BOLT	SUS304
6	CAP	SCS13A/SCS14A
7	STEM SEAL	PTFE
8	STEM PACKING	PTFE
9	GLAND	SCS13A
10	STOPPER	SUS304
11	HANDLE	SCS13A
12	SNAPRING	SUS304
13	STEM	SUS304
14	BOLT	SUS304



B404D

2PC FLANGED BALL VALVE(DIN) 2PC 德标法兰球阀

FEATURES:

- DIN PN10-40
- Full Port
- Investment Casting
- Blow-out Proof Stem
- ISO5211 Mounting Pad
- PED97/23/EC (CE 0035) Approved
- Casting Approved AD2000-W0
- Design: DIN3357, EN12516
- End Flange: DIN2501, PN10-40
- Face to Face: DIN3202-F4
- Inspection Testing: DIN3230/3, EN12266

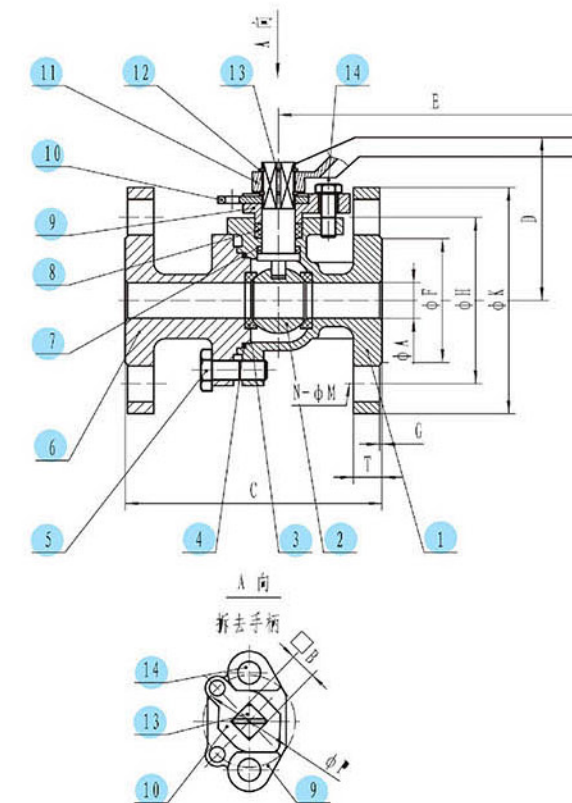


DIMENSION TABLE

ITEM SIZE	A	B	D	E	C	PN10			PN16			PN25-PN40							
						F	H	K	T	G	M	N	F	H	K	T	G	M	N
1/2"	15	11	73	130	115	45	65	95	14	2	14	4	45	65	95	14	2	14	4
3/4"	20	11	76	130	120	58	75	105	16	2	14	4	58	75	105	16	2	14	4
1"	25	14	86	160	125	68	85	115	18	2	14	4	68	85	115	18	2	14	4
1 1/4"	32	14	91	160	130	78	100	140	18	2	18	4	78	100	140	18	2	18	4
1 1/2"	38	17	119	200	140	88	110	150	18	3	18	4	88	110	150	18	3	18	4
2"	50	17	127	200	150	102	125	165	18	3	18	4	102	125	165	20	3	18	4
2 1/2"	65	17	136	200	170	122	145	185	18	3	18	4	122	145	185	22	3	18	8
3"	76	22	164	325	180	138	160	200	20	3	18	8	138	160	200	24	3	18	8
4"	94	22	178	325	190	158	180	220	20	3	18	8	162	190	235	24	3	22	8

MATERIAL LIST

ITEM	DESIGNATION	MATERIAL
1	BODY	1.4308/1.4408
2	BALL	1.4308/1.4408
3	BALL SEAT	RPTFE
4	BODY SEAL	PTFE
5	BOLT	SUS304
6	CAP	1.4308/1.4408
7	STEM SEAL	PTFE
8	STEM PACKING	PTFE
9	GLAND	1.4308
10	STOPPER	SUS304
11	HANDLE	1.4308
12	SNAPRING	SUS304
13	STEM	SUS304
14	BOLT	SUS304

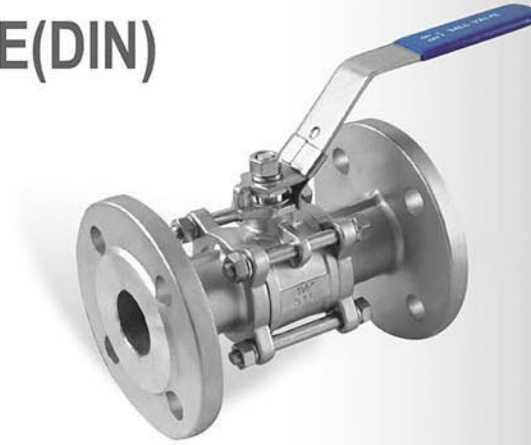


B304D

3PC FLANGED BALL VALVE(DIN) 3PC 法兰球阀

FEATURES:

- PN25~40
- Full Port
- Investment Casting
- Blow-out Proof Stem
- PED97/23/EC(CE 0035) Approved
- Casting Approved AD2000-W0
- Design:DIN3357,EN12516
- End Flange:DIN2501, PN10-40
- Face to Face:DIN3202-F1
- Inspection Testing:DIN3230/3, EN12266

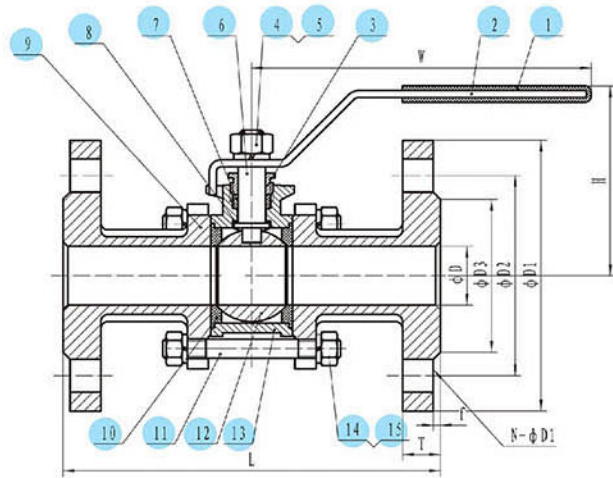


DIMENSION TABLE

SIZE ITEM	1/2"	3/4"	1"	1 1/4"	1 1/2"	2"	2 1/2"	3"	4"
D	15	20	25	32	38	50	65	76	94
D1	95	105	115	140	150	165	185	200	235
D2	65	75	85	100	110	125	145	160	190
D3	45	58	68	78	88	102	122	138	162
f	2	2	2	2	3	3	3	3	3
T	16	18	18	18	18	20	22	24	24
N-φd	4-φ14	4-φ14	4-φ14	4-φ18	4-φ18	4-φ18	8-φ18	8-φ18	8-φ22
L	130	150	160	180	200	230	290	310	350
W	117	120	148	148	202	202	263	263	293
H	76	84	100	105	116	124	168	177	200

MATERIAL LIST

ITEM	DESIGNATION	MATERIAL
1	COVER	PLASTIC
2	HANDLE	SUS304
3	GLAND	SUS304
4	STEM NUT	SUS304
5	THRUST WASHER	SUS304
6	STEM	SUS304
7	STEM PACKING	PTFE
8	STEM WASHER	PTFE
9	CAP	CF8/CF8M
10	SEAT	RPTFE
11	BOLT	SUS304
12	BALL	CF8/CF8M
13	BODY	CF8/CF8M
14	NUT	SUS304
15	THRUST WASHER	SUS304



B404MA

2PC FLANGED BALL VALVE WITH DIRECT MOUNTING PAD(ANSI) 2PC 高平台美标法兰球阀

FEATURES:

- ANSI CLASS 150
- Full Port
- Investment Casting
- Blow-out Proof Stem
- ISO5211 Mounting Pad
- PED97/23/EC(CE 0035) Approved
- Casting Approved AD2000-W0
- Design:ASME B16.34
- End Flange:ASME B16.5
- Inspection Testing:API598

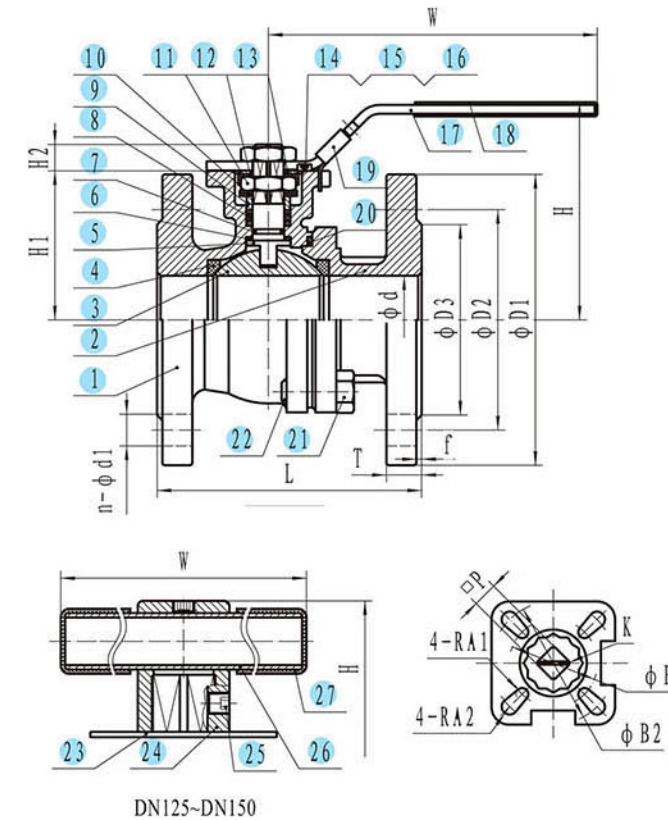


DIMENSION TABLE

SIZE	1/2"	3/4"	1"	1 1/4"	1 1/2"	2"	2 1/2"	3"	4"	5"	6"
φd	15	20	25	32	38	50	65	76	100	120	150
L	108	117	127	140	165	178	190	203	229	356	394
T	9.7	10.5	11.2	12.7	14.7	16.3	17.9	19.5	24.3	24	25.4
f	1.6	1.6	1.6	1.6	2	2	2	2	2	2	2
D1	89	98.6	108	117	125	150	180	190	230	254	279.4
D2	60.5	70	79.2	88.9	98.4	120.7	139.7	152.4	190.5	216	241.3
D3	35	43	51	63.5	73.2	92	104.7	127	157.2	186	216
n	4	4	4	4	4	4	4	4	8	8	8
φd1	16	16	16	16	16	19	19	19	19	22.4	22.4
H1	48.3	53	58.5	71	76	84.5	101.5	111.5	141	160	184
H2	9	9	11	11	14	14	17	17	22	40.5	40.5
H	80	85	95	108	114	124	148	158	191	242	270
W	140	140	160	160	185	185	230	230	300	500	800
K	M12×1.5	M12×1.5	M14×1.5	M14×1.5	M18×1.5	M18×1.5	M22×1.5	M22×1.5	M28×2	M36×2	M36×2
P	9	9	11	11	14	14	17	17	22	27	27
A1	3	3	3	3	3.5	3.5	4.5	4.5	M12	M12	
A2	3	3	3.5	3.5	4.5	4.5	5.5	5.5	M10		
B1	36	36	42	42	50	50	70	70		125	125
B2	42	42	50	50	70	70	102	102			

MATERIAL LIST

ITEM	DESIGNATION	MATERIAL
1	BODY	CF8/CF8M
2	CAP	CF8/CF8M
3	BALL	CF8/CF8M
4	BALL SEAT	RPTFE
5	STEM	SUS304
6	STEM PACKING	PTFE
7	O-RING	NBR
8	V-RING PACKING	PTFE
9	GLAND	SUS304
10	BELLEVILLE WASHER	SUS301
11	NUT	SUS304
12	THRUST WASHER	SUS304
13	WASHER	SUS304
14	STOP BOLT	SUS304
15	NUT	SUS304
16	WASHER	SUS304
17	HANDLE	SUS304
18	PLASTIC COVER	PLASTIC
19	LOCKING	SUS304
20	BODY GASKET	PTFE
21	NUT	SUS304
22	BOLT	SUS304
23	TRIANGLE STOPPER	SUS304
24	HANDLE ADAPTER	SUS304
25	SET SCREWED	SUS304
26	HANDLE	SUS304
27	PLASTIC COVER	PLASTIC



DN125~DN150

B404MJ

2PC FLANGED BALL VALVE WITH DIRECT MOUNTING PAD(JIS) 2PC 高平台日标法兰球阀

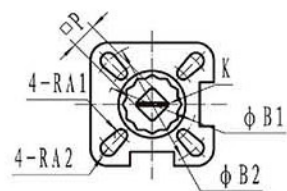
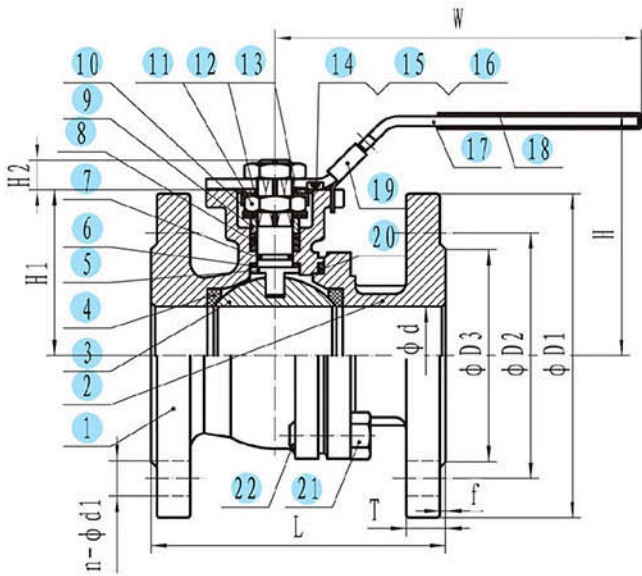
FEATURES:

- JIS 10K
- Full Port
- Investment Casting
- Blow-out Proof Stem
- ISO5211 Mounting Pad
- PED97/23/EC(CE0035) Approved
- Casting Approved AD2000-W0
- Design:JIS B2002
- End Flange:JIS B2238
- Inspection Testing:JIS B2003,API598



DIMENSION TABLE										
SIZE	15A	20A	25A	32A	40A	50A	65A	80A	100A	
φd	15	20	25	32	38	50	65	76	100	
L	108	117	127	140	165	178	190	203	229	
T	12	14	14	16	16	16	18	18	18	
f	1	1	1	2	2	2	2	2	2	
D1	95	100	125	135	140	155	175	185	210	
D2	70	75	90	100	105	120	140	150	175	
D3	51	56	67	76	81	96	116	126	151	
n	4	4	4	4	4	4	4	8	8	
φd1	15	15	19	19	19	19	19	19	19	
H1	48	53	64	71	76	84.5	101.5	111.5	141	
H2	9	9	11	11	14	14	17	17	22	
H	80	85	100	108	114	124	148	158	189	
W	140	140	160	160	185	185	230	230	320	
K	M12x1.5	M12x1.5	M14x1.5	M14x1.5	M18x1.5	M18x1.5	M22x1.5	M22x1.5	M28x2	
P	9	9	11	11	14	14	17	17	22	
A1	3	3	3	3	3.5	3.5	4.5	4.5		
A2	3	3	3.5	3.5	4.5	4.5	5.5	5.5	M10	
B1	36	36	42	42	50	50	70	70		
B2	42	42	50	50	70	70	102	102	102	

MATERIAL LIST		
ITEM	DESIGNATION	MATERIAL
1	BODY	SSC13A/SSC14A
2	CAP	SSC13A/SSC14A
3	BALL	SSC13A/SSC14A
4	BALL SEAT	RPTFE
5	STEM	SUS304
6	STEM PACKING	PTFE
7	O-RING	NBR
8	V-RING PACKING	PTFE
9	GLAND	SUS304
10	BELLEVILLE WASHER	SUS301
11	NUT	SUS304
12	THRUST WASHER	SUS304
13	WASHER	SUS304
14	STOP BOLT	SUS304
15	NUT	SUS304
16	WASHER	SUS304
17	HANDLE	SUS304
18	PLASTIC COVER	PLASTIC
19	LOCKING	SUS304
20	BODY GASKET	PTFE
21	NUT	SUS304
22	BOLT	SUS304



B404MD

2PC FLANGED BALL VALVE WITH DIRECT MOUNTING PAD(DIN) 2PC 高平台德标法兰球阀

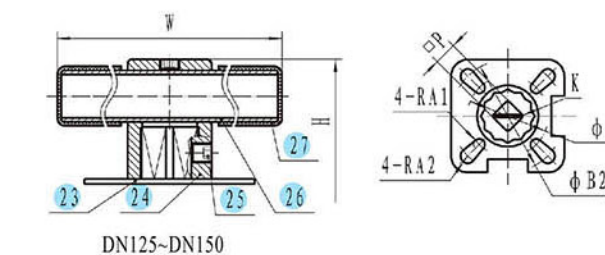
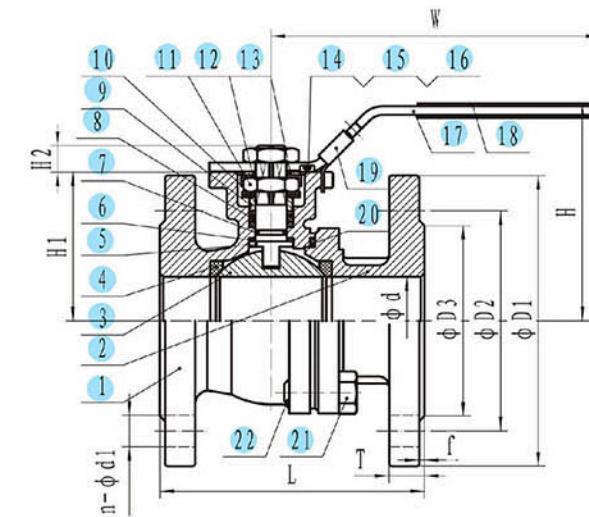
FEATURES:

- DIN PN10-40
- Full Port
- Investment Casting
- Blow-out Proof Stem
- ISO5211 Mounting Pad
- PED97/23/EC(CE 0035) Approved
- Casting Approved AD2000-W0
- Design:DIN3357,EN12516
- End Flange:DIN2543~2545, PN10-40
- Face to Face:DIN3202-F4(DN15-DN100)
DIN3202-F5(DN125-DN150)
- Inspection Testing:DIN3230/3,EN12266



DIMENSION TABLE													
SIZE	DN15	DN20	DN25	DN32	DN40	DN50	DN65	DN80	DN100	DN125	DN150		
PN	10, 16, 25, 40								10, 16				
φd	15	20	25	32	38	50	65	76	100	120	150		
L	115	120	125	130	140	150	170	180	190	325	350		
T	16	18	18	18	18	20	18	20	20	22	22		
f	2	2	2	2	3	3	3	3	3	3	3		
D1	95	105	115	140	150	165	185	200	220	250	285		
D2	65	75	85	100	110	125	145	160	180	210	240		
D3	45	58	68	78	88	102	122	138	158	188	212		
n	4	4	4	4	4	4	4	8	8	8	8		
φd1	14	14	14	18	18	18	18	18	18	18	22		
H1	48	53	58.5	71	76	84.5	101.5	111.5	141	160	184		
H2	9	9	11	11	14	14	17	17	22	40.5	40.5		
H	80	85	95	108	114	124	148	158	189	242	270		
W	140	140	160	160	185	185	230	230	320	500	800		
K	M12x1.5	M12x1.5	M14x1.5	M14x1.5	M18x1.5	M18x1.5	M22x1.5	M22x1.5	M28x2	M36x2	M36x2		
P	9	9	11	11	14	14	17	17	22	27	27		
A1	3	3	3	3	3.5	3.5	4.5	4.5		M12	M12		
A2	3	3	3.5	3.5	4.5	4.5	5.5	5.5	M10				
B1	36	36	42	42	50	50	70	70		125	125		
B2	42	42	50	50	70	70	102	102	102				

MATERIAL LIST		
ITEM	DESIGNATION	MATERIAL
1	BODY	1.4408/1.4308
2	CAP	1.4408/1.4308
3	BALL	1.4408/1.4308
4	BALL SEAT	RPTFE
5	STEM	SUS304
6	STEM PACKING	PTFE
7	O-RING	NBR
8	V-RING PACKING	PTFE
9	GLAND	SUS304
10	BELLEVILLE WASHER	SUS301
11	NUT	SUS304
12	THRUST WASHER	SUS304
13	WASHER	SUS304
14	STOP BOLT	SUS304
15	NUT	SUS304
16	WASHER	SUS304
17	HANDLE	SUS304
18	PLASTIC COVER	PLASTIC
19	LOCKING	SUS304
20	BODY GASKET	PTFE
21	NUT	SUS304
22	BOLT	SUS304
23	TRIANGLE STOPPER	SUS304
24	HANDLE ADAPTER	SUS304
25	SET SCREWED	SUS304
26	HANDLE	SUS304
27	PLASTIC COVER	PLASTIC



DN125-DN150

B501M

THREE-WAY BALL VALVE WITH DIRECT MOUNTING PAD 高平台三通球阀

FEATURES:

- 1000PSI/PN63
- Reduce Port
- Investment Casting
- Blow-out Proof Stem
- ISO5211 Mounting Pad
- PED97/23/EC(CE 0035) Approved
- Casting Approved AD2000-W0
- L or T Port Option
- 4 Seats For Rigid Ball Supporting
- Thread:ASME B1.20.1 BS21.DIN2999/259, ISO228-1, JIS B 0203, ISO7/1
- Inspection Testing:API598, EN12266

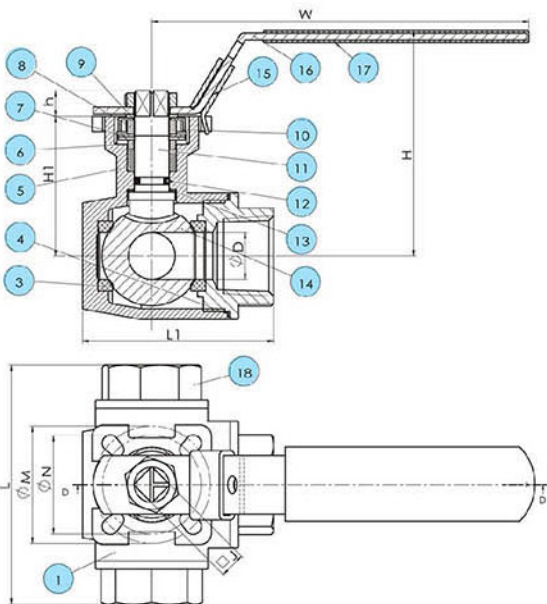


DIMENSION TABLE

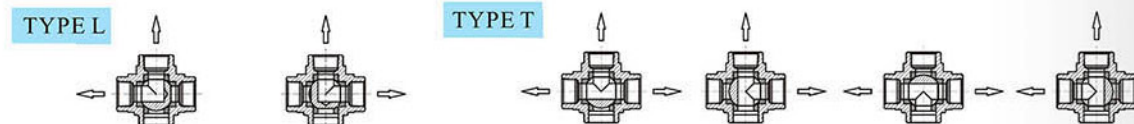
ITEM	SIZE	1/4"	3/8"	1/2"	3/4"	1"	1 1/4"	1 1/2"	2"
D		9	11	12.5	16	20	25	32	38
W		139	139	139	139	160	160	185	185
H		73	73	73	80	95	98	110	119
H1		42	42	42	49	59.5	63	73.5	82.8
h		9	9	9	9	11	11	14	14
M		36	36	36	36	42	42	50	50
N		42	42	42	42	50	50	70	70
J		9	9	9	9	11	11	14	14
L		79	79	79	83	104	111	126	147
L1		64	64	64	68	82	90	106	123

MATERIAL LIST

ITEM	DESIGNATION	MATERIAL
1	BODY	CF8/CF8M
2	CAP(A)	CF8/CF8M
3	BALL SEAT	RPTFE
4	BODY PACKING	PTFE
5	STEM PACKING	PTFE
6	GLAND NUT	SUS304
7	SPRING WASHER	SUS301
8	NUT	SUS304
9	WASHER	SUS304
10	THRUST WASHER	SUS304
11	STEM	SUS304
12	O-RING	NBR
13	STEM SEAL	PTFE
14	BALL	CF8/CF8M
15	LOCKING	SUS304
16	HANDLE	SUS304
17	PLASTIC COVER	PLASTIC
18	CAP(B)	CF8/CF8M



FLOW DIRECTION INDICATION



Y601

Y-STRAINER Y型过滤器

FEATURES:

- 800PSI(PN40)
- Investment Casting
- PED97/23/EC(CE 0035) Approved
- Casting Approved AD2000-W0
- Thread:ASME B1.20.1 BS21.DIN2999/259, ISO228-1, JIS B 0203,ISO7/1
- Inspection Testing:API598,EN12266

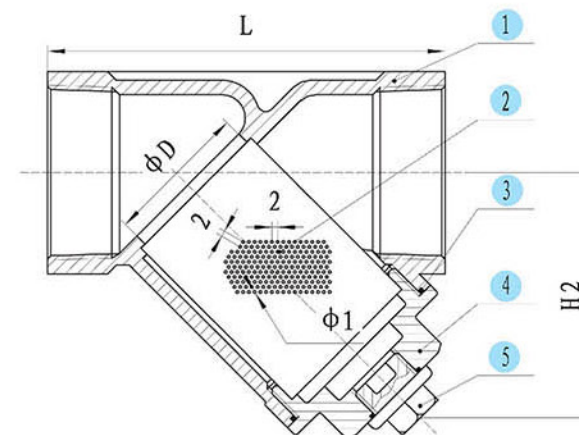


DIMENSION TABLE

ITEM	SIZE	1/4"	3/8"	1/2"	3/4"	1"	1 1/4"	1 1/2"	2"	2 1/2"	3"
D		12	12	15	20	25	32	40	50	65	76
H2		42	42	42	51	65	66	75	86	112	123
L		65	65	65	80	90	105	120	138	183	198

MATERIAL LIST

ITEM	DESIGNATION	MATERIAL
1	BODY	CF8/CF8M
2	SCREEN	SUS304
3	GASKET	PTFE
4	BONNET	CF8/CF8M
5	DISCHARGE PLUG	CF8/CF8M



B261

BIBCOCK VALVE

水嘴球阀

FEATURES:

- 200PSI/PN16
- Investment Casting
- PED97/23/EC(CE 0035) Approved
- Casting Approved AD2000-W0
- Thread:ASME B1.20.1 BS21.DIN2999/259, ISO228-1,JIS B 0203,ISO7/1
- Inspection Testing:API598,EN12266

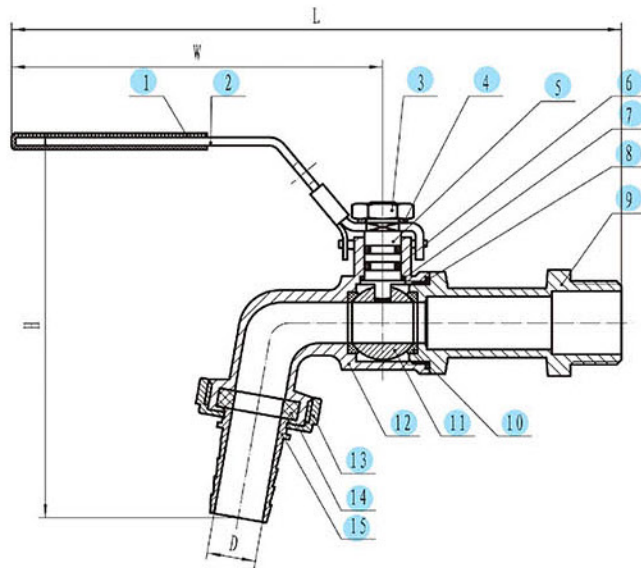


DIMENSION TABLE

ITEM	SIZE	1/2"	3/4"	1"
D		12	16	20
H		91	102	116
W		92	92	92
L		149	158	145

MATERIAL LIST

ITEM	DESIGNATION	MATERIAL
1	PLASTIC COVER	PLASTIC
2	HANDLE	SUS304
3	STEM NUT	SUS304
4	THRUST WASHER	SUS304
5	STEM	SUS304
6	O-RING	NBR
7	STEM SEAL	PTFE
8	BODY SEAL	PTFE
9	CAP	CF8/CF8M
10	SEAT	RPTFE
11	BALL	CF8/CF8M
12	BODY	CF8/CF8M
13	NUT	CF8/CF8M
14	RING	NBR
15	HOSE	CF8/CF8M



F701

FLOATING BALL VALVE

浮球阀

FEATURES:

- 200PSI/PN16
- Investment Casting
- PED97/23/EC(CE 0035) Approved
- Casting Approved AD2000-W0

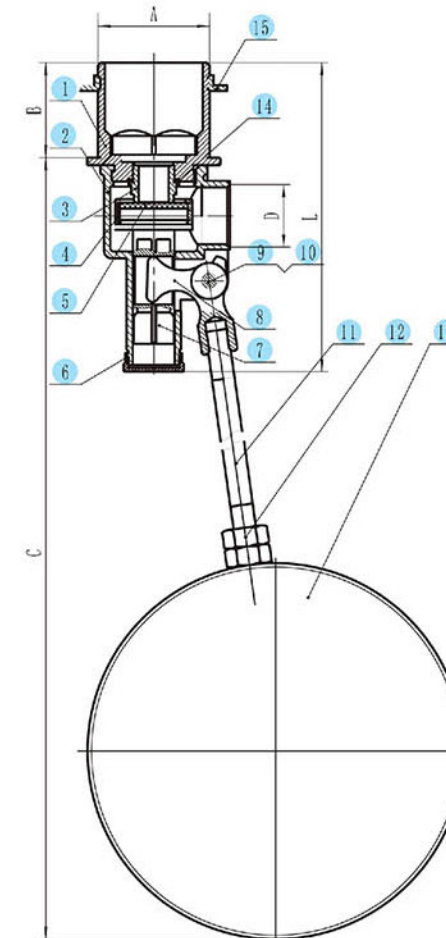


DIMENSION TABLE

SIZE ITEM	1/2"	3/4"	1"	1 1/4"	1 1/2"	2"
A	G1/2	G3/4	G1	G1-1/4	G1-1/2	G2
B	31.3	38.5	39	50.5	50	50.5
C	429	513	585	663	694	791
D	M14 × 1.5	G1/2	G3/4	G1	G1	G1
L	78	99	107	162	162	162

MATERIAL LIST

ITEM	DESIGNATION	MATERIAL
1	CAP	CF8/CF8M
2	BODY	CF8/CF8M
3	CAPTIE-IN	CF8
4	HAT	CF8
5	SEAT	VITON
6	PLUG	NYLON
7	PISTON	CF8
8	RUNNING PART	CF8
9	PLACKET PIN	SUS304
10	HANGER PIN	SUS304
11	STEM	SUS304
12	NUT	SUS304
13	BALL	SUS304
14	STEM SEAL	PTFE
15	LANTEL RING	CF8



G801

GLOBE VALVE

截止阀 -I 型

FEATURES:

- 200PSI/PN16
- Investment Casting
- PED97/23/EC(CE 0035) Approved
- Casting Approved AD2000-W0
- Thread:ASME B1.20.1 BS21.DIN2999/259, ISO228-1, JIS B 0203,ISO7/1
- Inspection Testing:API598,EN12266

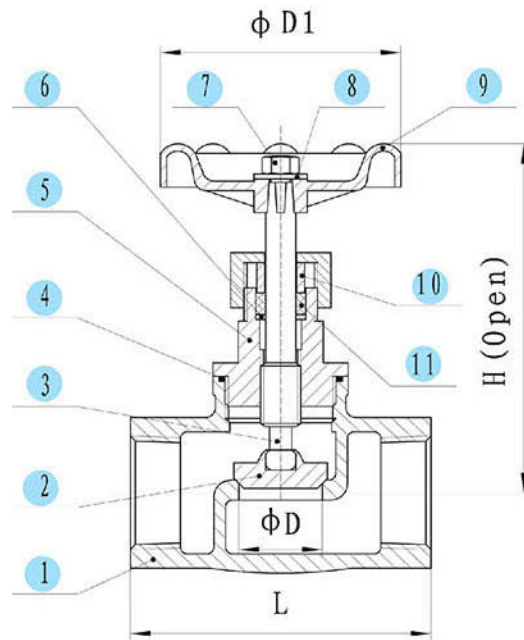


DIMENSION TABLE

ITEM	SIZE	1/2"	3/4"	1"	1 1/4"	1 1/2"	2"
D		15	20	25	32	40	50
H		95	106	118	144	152	172
D1		70	70	80	100	100	100
L		66	80	90	105	120	141

MATERIAL LIST

ITEM	DESIGNATION	MATERIAL
1	BODY	CF8/CF8M
2	PETAL	CF8/CF8M
3	STEM	SUS304
4	GASKET	PTFE
5	CAP	CF8/CF8M
6	WASHER	SUS304
7	NUT	SUS304
8	RING	SUS304
9	HANDWHEEL	ALUMINUM ALLOY
10	GLAND RING	SUS304
11	STEM PACKING	PTFE



G901

GATE VALVE

闸阀

FEATURES:

- 200PSI/PN16
- Investment Casting
- PED97/23/EC(CE 0035) Approved
- Casting Approved AD2000-W0
- Thread:ASME B1.20.1 BS21.DIN2999/259, ISO228-1, JIS B 0203,ISO7/1
- Inspection Testing:API598,EN12266

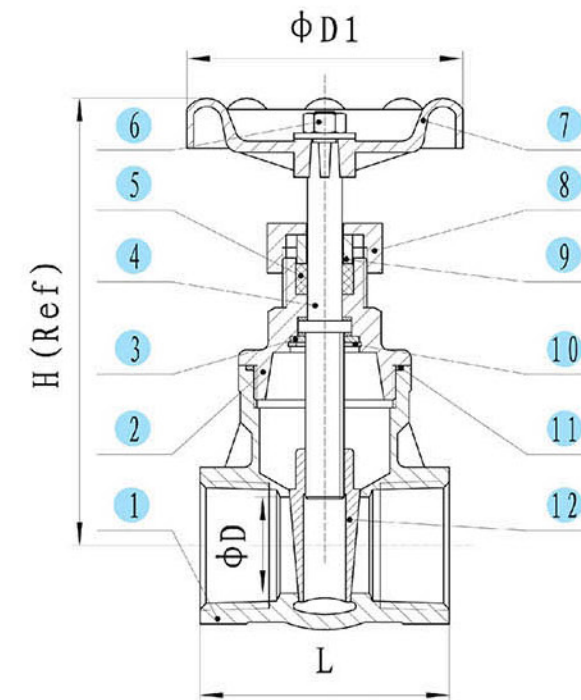


DIMENSION TABLE

ITEM	SIZE	1/2"	3/4"	1"	1 1/4"	1 1/2"	2"
D		15	20	25	32	40	50
H		92	99	113	128	147	168
D1		70	70	80	80	100	100
L		55	60	66	76	86	96

MATERIAL LIST

ITEM	DESIGNATION	MATERIAL
1	BODY	CF8/CF8M
2	BONNET	CF8/CF8M
3	STOP RING	SUS304
4	STEM	SUS304
5	PACKING	PTFE
6	HANDWHEEL NUT	SUS304
7	HANDWHEEL	ALUMINUM ALLOY
8	PACKING NUT	SUS304
9	RING	SUS304
10	LOCK NUT	SUS304
11	GASKET	PTFE
12	DISC	CF8/CF8M



C401

SWING CHECK VALVE

旋启式止回阀



FEATURES:

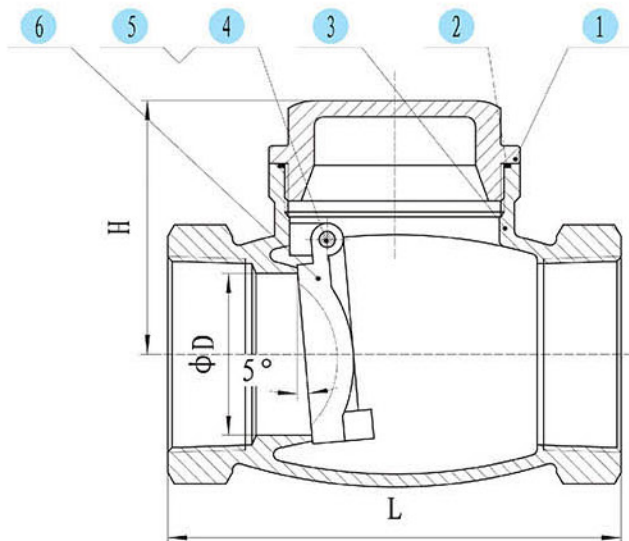
- 200PSI/PN16
- Investment Casting
- Precise Grinding
- PED97/23/EC(CE 0035) Approved
- Casting Approved AD2000-W0
- Thread:ASME B1.20.1 BS21.DIN2999/259, ISO228-1, JIS B 0203,ISO7/1
- Inspection Testing:API598,EN12266

DIMENSION TABLE

ITEM	SIZE	1/2"	3/4"	1"	1 1/4"	1 1/2"	2"	2 1/2"	3"
D		15	20	25	32	38	50	62	75
H		41	53	60	60	75	79	90	100
L		65	80	90	105	120	140	156	188

MATERIAL LIST

ITEM	DESIGNATION	MATERIAL
1	BONNET	CF8/CF8M
2	GASKET	PTFE
3	BODY	CF8/CF8M
4	HANGER PIN	SUS304
5	PLUG GASKET	PTFE
6	DISC	CF8/CF8M



C501

Y-SPRING CHECK VALVE

Y型弹簧止回阀



FEATURES:

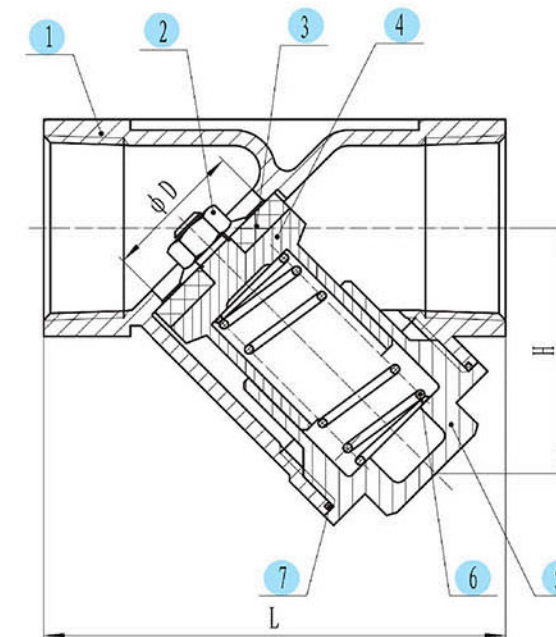
- 800PSI/PN40
- Investment Casting
- PED97/23/EC(CE 0035) Approved
- Casting Approved AD2000-W0
- Thread:ASME B1.20.1 BS21.DIN2999/259, ISO228-1, JIS B 0203,ISO7/1
- Inspection Testing:API598,EN12266

DIMENSION TABLE

ITEM	SIZE	1/4"	3/8"	1/2"	3/4"	1"	1 1/4"	1 1/2"	2"	2 1/2"	3"
D		12	12	15	20	25	32	40	50	65	76
H		35	35	35	45	57	58	66	78	102	116
L		65	65	65	80	90	105	120	138	183	198

MATERIAL LIST

ITEM	DESIGNATION	MATERIAL
1	BODY	CF8/CF8M
2	NUT	SUS304
3	DISC SEAT	PTFE
4	DISC	CF8/CF8M
5	BONNET	CF8/CF8M
6	SPRING	SUS304
7	GASKET	PTFE



C101

1PC-SPRING VERTICAL CHECK VALVE

1PC 弹簧立式止回阀

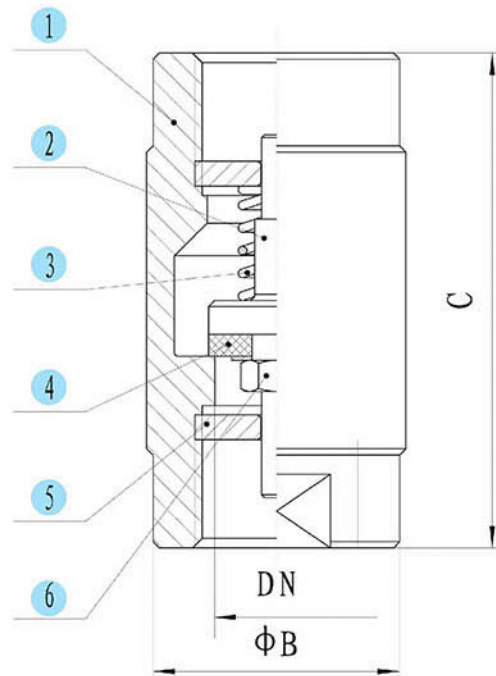
FEATURES:

- 800PSI/PN40
- Investment Casting
- Sanitary Design
- PED97/23/EC (CE 0035) Approved
- Casting Approved AD2000-W0
- Thread: ASME B1.20.1 BS21.DIN2999/259, ISO228-1, JIS B 0203, ISO7/1
- Inspection Testing: API598, EN12266



DIMENSION TABLE

ITEM	SIZE	1/4"	3/8"	1/2"	3/4"	1"	1 1/4"	1 1/2"	2"	2 1/2"	3"
DN		8	10	15	20	25	32	38	50	65	76
B		21	24	31	38	48	52	60	74	94	116
C		60	65	80	80	90	95	110	118	135	145



MATERIAL LIST

ITEM	DESIGNATION	MATERIAL
1	BODY	CF8/CF8M
2	STEM	CF8/CF8M
3	SPRING	SUS304/SUS316
4	SEAT	PTFE
5	STOPPER	SUS304/SUS316
6	NUT	SUS304

C201

2PC-SPRING VERTICAL CHECK VALVE

2PC 弹簧立式止回阀

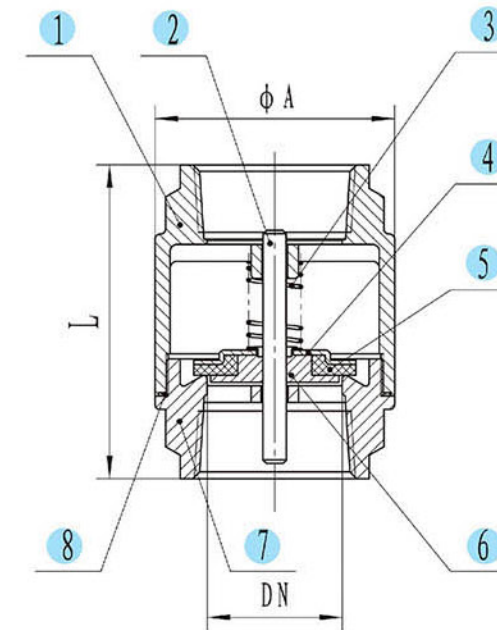
FEATURES:

- 200PSI/PN16
- Investment Casting
- PED97/23/EC (CE 0035) Approved
- Casting Approved AD2000-W0
- Thread: ASME B1.20.1 BS21.DIN2999/259, ISO228-1, JIS B 0203, ISO7/1
- Inspection Testing: API598, EN12266



DIMENSION TABLE

ITEM	SIZE	3/8"	1/2"	3/4"	1"	1 1/4"	1 1/2"	2"	2 1/2"	3"	4"
DN		13	15	20	25	31	40	50	65	76	94
ΦA		30	34.5	41.5	48	60.5	71	87	110	125	155
L		54	57	64	75	82	93	100	120	140	158



MATERIAL LIST

ITEM	DESIGNATION	MATERIAL
1	BODY	CF8/CF8M
2	STEM	SUS304/SUS316
3	SPRING	SUS304/SUS316
4	STOCK	SUS304/SUS316
5	SEAT	NBR/VITON
6	PRESS CAP	SUS304/SUS316
7	CAP	CF8/CF8M
8	BODY PACKING	PTFE

C601

DISK CHECK VALVE

对夹式止回阀

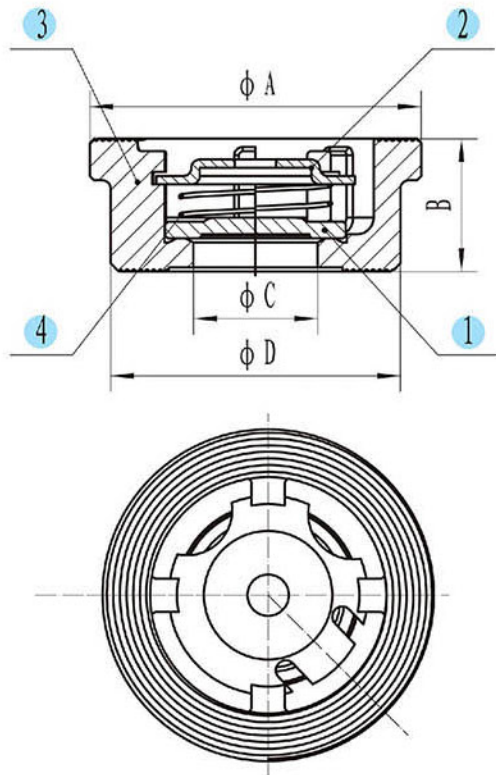


FEATURES:

- 200PSI/PN16
- Investment Casting
- Precise Grinding
- PED97/23/EC(CE0035) Approved
- Casting Approved AD2000-W0
- Inspection Testing:API598,EN12266

DIMENSION TABLE

SIZE ITEM	DN15	DN20	DN25	DN32	DN40	DN50	DN65	DN80	DN100
A	40	47	56	72	82	95	115	132	152
B	16	19	21	28	32	40	46	50	60
C	15	20	25	31	39	48	63	75	88
D	35	42	50	64	76	89	108	124	145



MATERIAL LIST

ITEM	DESIGNATION	MATERIAL
1	DISC	SUS304/SUS316
2	STOPPER	SUS304/SUS316
3	BODY	CF8/CF8M
4	SPRING	SUS304/SUS316

C301

3PC-SPRING VERTICAL CHECK VALVE

3PC 弹簧立式止回阀

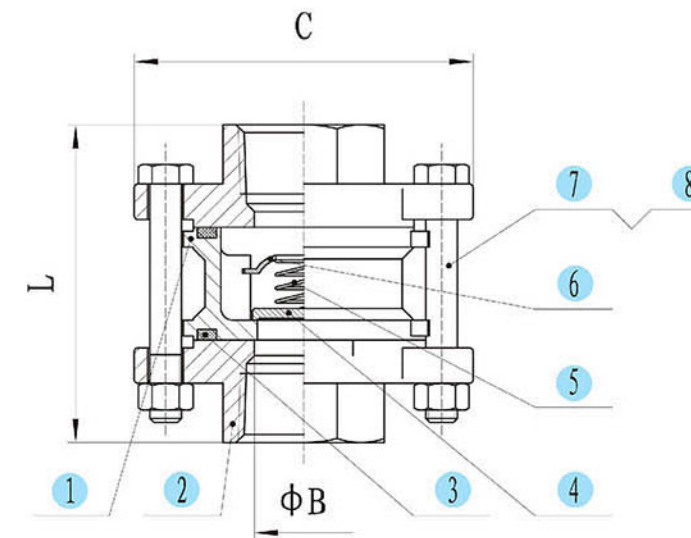


FEATURES:

- 1000PSI/PN63
- Investment Casting
- Precise Grinding
- PED97/23/EC(CE0035) Approved
- Casting Approved AD2000-W0
- Thread:ASME B1.20.1 BS21.DIN2999/259, ISO228-1, JIS B 0203,ISO7/1
- Inspection Testing:API598,EN12266

DIMENSION TABLE

SIZE ITEM	1/4"	3/8"	1/2"	3/4"	1"	1 1/4"	1 1/2"	2"	2 1/2"	3"	4"
B	8	10	15	20	25	32	40	50	65	80	100
C	48	48	57	67	78	95.5	106	124	164	184	235
L	61	61	69	74	80	95	101	114	136	146	174



MATERIAL LIST

ITEM	DESIGNATION	MATERIAL
1	BODY	CF8/CF8M
2	CAP	CF8/CF8M
3	SEAL PACKING	PTFE
4	DISC	SUS304/SUS316
5	SPRING	SUS304/SUS316
6	STOPPER	SUS304/SUS316
7	BOLT	SUS304
8	NUT	SUS304